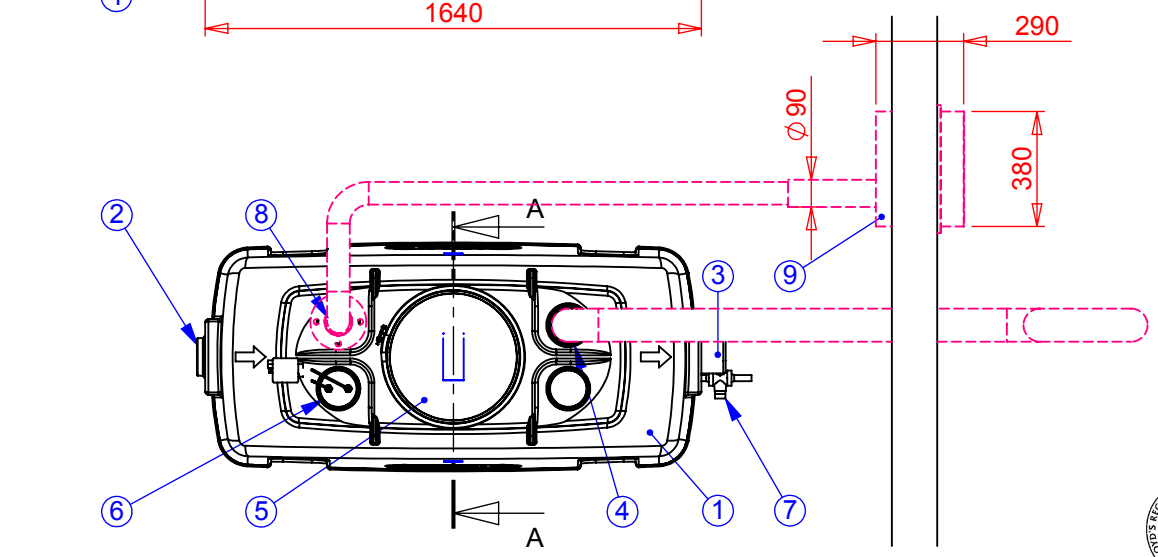


**EuroREK NS2 SL (EN1825)**  
grease separator (indoor installation,  
on the floor)

Max. flow rate 2 l/s



C	Grease storage capacity		80 l	
B	Effective capacity		700 l	
A	Sludge capacity		200 l	
10	ACCESSORY: Labcom data transfer unit (x)			<input type="checkbox"/> (1)
9	ACCESSORY: Imubox quick coupling box (x)			<input type="checkbox"/> (1)
8	ACCESSORY: Emptying pipe with flange (DN80) (x)			<input type="checkbox"/> (1)
7	Sampling valve			1
6	SET-2000 grease alarm unit with SET DM/3 (6a) ja SET/OE2 (6b) probes			1
5	Lockable gas tight cover		D400	1
4	Ventilation outlet	PVC	D110	1
3	Outlet sewer	PE	D110	1
2	Inlet sewer	PVC	D110	1
1	Tank (pH3-10/Heat endurance max. 50°C)	PE-MD	1640 x 750 x 1670 mm	1

Product: EuroREK NS2 SL Grease separator (indoor)			Drawing type: CUSTOMER DRAWING	
Design by: TP/TL	Approved by: HT 11.05.2011	Drawing no: 32AB06ae	Date: 11.05.2011	Scale (A4): 1:25



WAVIN-LABKO Ltd.  
Labkotie 1  
FIN-36240 KANGASALA  
FINLAND  
puh. +358 020 1285 200  
fax. +358 0201285 280

Construction site:

This drawing and the technical information included in the drawing are property of Wavin-Labko Ltd. Authorities' regulations must be known before providing the product. Products must be installed according to installation instructions.