

Perfect for small to medium sized dwellings

With excellent energy and heat recovery performance this HRU360VL/R continuously ventilating, whole house heat recovery system has been independently tested by the BRE.

Combining extremely low power consumption and a premium quality heat exchanger, this unit enhances your buildings SAP performance, and yet remains versatile enough to function effectively in larger apartments as it does in small to medium sized dwellings.

This unit offers 100% a heat exchanger summer bypass feature for the prevention of building over heating and is recognised and listed in the UK Product Characteristics Database (PCDB). They also include intelligent humidity options and can be installed with the VCONT001 control system or the Sentio indoor climate control system



Features & Benefits

- Low Specific Fan Power (SFP) down to 0.49 W/l/s
- High heat exchanger efficiency up to 89%
- Airflow up to 100l/s (360 m³/h) at 100 Pa
- Compact unit dimensions of 60cm x 36cm
- Accepts 125mm diameter ducting without the need for adapters
- Lightweight for easy handling
- Intelligent frost protection providing stepped reduction of supply air volume in cold conditions preventing heat exchanger from freezing up.
- ISO Coarse 55% (G3) filters fitted as standard
- ISO Coarse 60% (G4) filter optional upgrade
- Fully adjustable boost overrun timer 0-60 minutes; can be used with non-latching (momentary) switches to prevent being left in boost mode.
- Setback facility to reduce ventilation where regulations allow.
- Intelligent Summer bypass and humidity controls
- Volt free switching control interface
- Quick fix mounting bracket
- IP32 ingress electrical protection rating against water and dust.
- Left and right handed models available
- Smart hot weather boosting facility to overcome over heating in dwellings
- Compatible with Wavin's Sentio climate control system

Wavin Ventiza HRU360VL/R



Compatible with Wavin's Sentio climate control system



PRODUCT INFORMATION

Wavin Ventiza HRU360VL/R

Ultra energy efficient Heat Recovery Ventilation unit



Wavin is part of Orbia, a community of companies working together to tackle some of the world's most complex challenges. We are bound by a common purpose: To Advance Life Around the World.



Wavin Limited | Registered Office | Edlington Lane | Doncaster | DN12 1BY
Tel. 0800 0380088 | www.wavin.co.uk | info@wavin.co.uk

Wavin operates a programme of continuous product development, and therefore reserves the right to modify or amend the specification of their products without notice. All information in this publication is given in good faith, and believed to be correct at the time of going to press. However, no responsibility can be accepted for any errors, omissions or incorrect assumptions.

© 2022 Wavin Wavin reserves the right to make alterations without prior notice. Due to continuous product development, changes in technical specifications may change. Installation must comply with the installation instructions.

June 2022



Wavin Ventiza - HRU360VL/R

Ultra energy efficient Heat Recovery Ventilation unit

Wavin Ventiza HRU360VL/R



Product Codes

HRU360VL (left hand)
HRU360VR (Right Hand)
VCONT001 (Ventiza Controller)

Filters:

HRU360FILG3 – ISO Course 55% (G3) filters fitted as standard.
HRU360FILG4 – ISO Course 60% (G4) optional upgrade

Standard:

Conforms to requirements of UK statutory Building Regulations and Technical Standards for Ventilation and BRE 398

Exceeds requirements of Building Regulations approved document L (England and Wales)

EU RoHS Directive Compliant

Conforms to requirements of EC council directives relating to Electromagnetic Compatibility and Electrical Safety: 2006/95/EC (LVD), 2004/108/EC (EMC)

EN60335-1:2002/A2:2006, EN 60335-2-80:2003/A1:2004

CE Marked

Specification

Dimensions:

600mm wide x 505mm high (excluding ports)
x 363mm deep (with mounting brackets)

Weight:

22kg

Finish:

White paint

Materials:

Zintec sheet steel housing, powder coated white

Housing:

Zintec sheet steel housing, powder coated white

Internals:

Expanded polypropylene (EPP)

Heat exchanger:

Polystyrene

Internal Insulation:

Closed cell foamed Nitrile rubber, class '0' fire rating

Standard filters:

Grade ISO Coarse 55% (G3) synthetic filters

Guarantee Period:

3 years (UK only)

Electrical:

230V ~ 50/60Hz, 3A fuse

Installation:

Install in accordance with regulatory requirements, such as the Domestic Ventilation Compliance Guide (England and Wales) and the Residential Ventilation Association recommendations

Maintenance:

Service and filter clean/replacement subject to local environment – see product manual

Acoustics:

Full acoustic data available online at www.wavin.co.uk

Performance

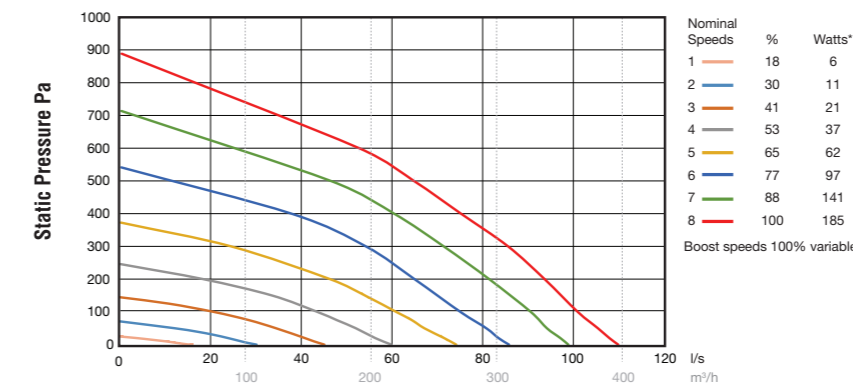
The figures and compliance levels below relate to current SAP requirements. Any Future revisions to SAP guidance will have an effect on performance.

Exhaust terminal configuration*	Fan speed setting	SFP (W/l/s)	Heat exchange efficiency (%)	SFP (W/l/s)	Heat exchange efficiency (%)
		2009		2012	
Kitchen + 1 additional wet room	100% variable	0.49	89%	0.51	89%
Kitchen + 2 additional wet rooms	100% variable	0.49	89%	0.58	87%
Kitchen + 3 additional wet rooms	100% variable	0.53	87%	0.7	86%
Kitchen + 4 additional wet rooms	100% variable	0.63	86%	0.9	84%
Kitchen + 5 additional wet rooms	100% variable	0.75	85%	1.07	83%
Kitchen + 6 additional wet rooms	100% variable	0.87	84%	1.34	82%
Kitchen + 7 additional wet rooms	100% variable	1.03	83%	-	-

Figures taken from the BRE Test Results

*Number of wet rooms is based on SAP Q test criteria and does not correlate directly with regulatory performance requirements.

Nominal Fan Performance



*@FID (0 Pa)

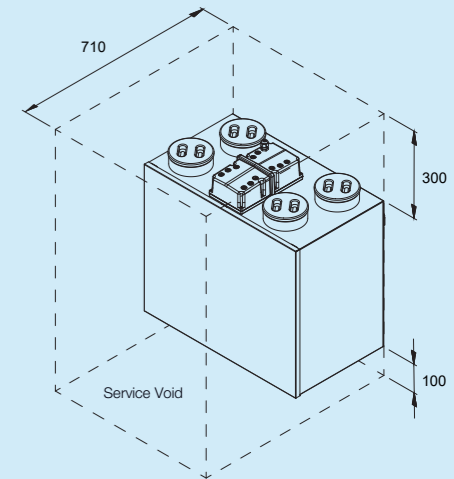
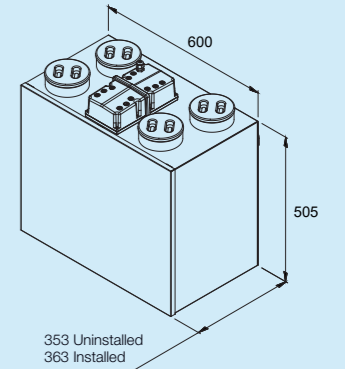
Volume Flow

All units offer 100% variable speed control. Performance curves for Eco version.

Acoustic Data

Product	% of Max flow	Airflow	dB(A) @ 3m Hemispherical			dB(A) @ 3m Spherical
			Induct Inlet	Induct Outlet	Casing Breakout	Casing Breakout
HRU360VL/R	41%	44l/s @ 17Pa	33	42	18	15
	65%	71l/s @ 54Pa	44	50	30	27
	100%	98l/s @ 100Pa	54	63	43	40

Drawing & Dimensions



Dimensions in mm