

## Wavin Limited

Parsonage Way  
Chippenham  
Wiltshire SN15 5PN  
Tel: 01249 766600 Fax: 01249 443286  
e-mail: info@wavin.co.uk  
website: www.wavin.co.uk



Agrément Certificate  
**86/1643**  
Product Sheet 1

## OSMA SOIL AND VENT SYSTEMS

### OSMAVENT 110 AND OSMAVENT 40 AIR ADMITTANCE VALVES

This Agrément Certificate Product Sheet<sup>(1)</sup> relates to OsmaVent 110 and OsmaVent 40 Air Admittance Valves, for use in above ground drainage systems.

(1) Hereinafter referred to as 'Certificate'.

#### CERTIFICATION INCLUDES:

- factors relating to compliance with Building Regulations where applicable
- factors relating to additional non-regulatory information where applicable
- independently verified technical specification
- assessment criteria and technical investigations
- design considerations
- installation guidance
- regular surveillance of production
- formal three-yearly review.



#### KEY FACTORS ASSESSED

**Effect on water seals** — the valves are effective in preventing the loss of water seals in appliance traps and the consequent release of foul air into a building (see section 7).

**Durability** — when used in the context of this Certificate the products will not be subject to significant deterioration and will have a life equivalent to that of the drainage system in which they are installed (see section 9).

The BBA has awarded this Agrément Certificate to the company named above for the products described herein. These products have been assessed by the BBA as being fit for their intended use provided they are installed, used and maintained as set out in this Certificate.

On behalf of the British Board of Agrément

Date of First issue: 21 March 2013

Originally certificated on 16 July 1986.

Brian Chamberlain

Head of Approvals — Engineering

Greg Cooper

Chief Executive

*The BBA is a UKAS accredited certification body — Number 113. The schedule of the current scope of accreditation for product certification is available in pdf format via the UKAS link on the BBA website at [www.bbacerts.co.uk](http://www.bbacerts.co.uk)*

*Readers are advised to check the validity and latest issue number of this Agrément Certificate by either referring to the BBA website or contacting the BBA direct.*

British Board of Agrément  
Bucknalls Lane  
Watford  
Herts WD25 9BA

©2013

tel: 01923 665300  
fax: 01923 665301  
e-mail: mail@bba.star.co.uk  
website: [www.bbacerts.co.uk](http://www.bbacerts.co.uk)

# Regulations

In the opinion of the BBA, OsmaVent 110 and OsmaVent 40 Air Admittance Valves, if installed, used and maintained in accordance with this Certificate, will meet or contribute to meeting the relevant requirements of the following Building Regulations (the presence of a UK map indicates that the subject is related to the Building Regulations in the region or regions of the UK depicted):



## The Building Regulations 2010 (England and Wales) (as amended)

Requirement:	H1	Foul water drainage
Comment:		OsmaVent valves will: (1) provide adequate ventilation to prevent the loss of water seals in trapped appliances. See sections 4.1 to 4.4, 6.1 to 6.9 and 7.1 to 7.3 of this Certificate. (2) prevent foul air from entering the building. See section 7.2 of this Certificate. (3) enable access to the sanitary pipework for clearing blockages. See section 6.1 of this Certificate. (4) contribute to the ventilation of underground drains. See sections 6.2 and 6.3 of this Certificate.
Regulation:	7	Materials and workmanship
Comment:		The products are acceptable. See section 9 and the <i>Installation</i> part of this Certificate.



## The Building (Scotland) Regulations 2004 (as amended)

Regulation:	8(1)(2)	Fitness and durability of materials and workmanship
Comment:		The use of the products satisfies the requirements of this Regulation. See sections 8 and 9 and the <i>Installation</i> part of this Certificate.
Regulation:	9	Building standards – construction
Standard:	3.6	Surface water drainage
Standard:	3.7	Wastewater drainage
Comment:		The valves can meet the relevant requirements of these Standards. See sections 4.1 to 4.4, 6.1 to 6.4, 6.6 to 6.9 and 7.1 to 7.3 of this Certificate.
Standard:	7.1(a)(b)	Statement of sustainability
Comment:		The product can contribute to meeting the relevant Requirements of Regulation 9, Standards 1 to 6 and therefore will contribute to a construction meeting a bronze level of sustainability as defined in this Standard. (1) Technical Handbook (Domestic). (2) Technical Handbook (Non-Domestic).



## The Building Regulations (Northern Ireland) 2012

Regulation:	23(a)(i)(iii)(b)(i)	Fitness of materials and workmanship
Comment:		The product is acceptable. See section 9 and the <i>Installation</i> part of this Certificate.
Regulation:	79	Drainage systems
Comment:		The valves provide adequate ventilation to maintain the water seals in traps. See sections 4.1 to 4.4, 6.1 to 6.4, 6.6 to 6.9 and 7.1 to 7.3 of this Certificate.

## Construction (Design and Management) Regulations 2007

## Construction (Design and Management) Regulations (Northern Ireland) 2007

In the opinion of the BBA, there is no information in this Certificate which relates to the obligations of the client, CDM co-ordinator, designer and contractors under these Regulations.

# Additional Information

## NHBC Standards 2013

NHBC accepts the use of OsmaVent 110 and OsmaVent 40 Air Admittance Valves, provided they are installed, used and maintained in accordance with this Certificate, in relation to *NHBC Standards*, Chapter 8.1.

## CE marking

The Certificate holder has taken the responsibility of CE marking the OsmaVent 110 and OsmaVent 40 Air Admittance Valves in association with harmonised standard BS EN 12380 : 2002. An asterisk (\*) appearing in this Certificate indicates that data shown is given in the manufacturer's Declaration of Performance

# Technical Specification

## 1 Description

1.1 The OsmaVent 110 valve (see Figure 1) comprises an acrylonitrile-butadiene-styrene (ABS) body with integrally-moulded protection screens and synthetic rubber diaphragm and connector. The connector allows push-fitting into a 110 mm diameter . Without the connector, the valve can be fitted to 82 mm diameter pipe (see Table 1 and section 12.1 of this Certificate).

1.2 The OsmaVent 40 valve (see Figure 2) comprises a plastic cap and body with integrally-moulded insect screens to a specification agreed by the BBA, and a synthetic rubber diaphragm and connector. The connector allows push-fitting onto waste pipes, with the sizes as given in Table 1.

Figure 1 OsmaVent 110 air admittance valve

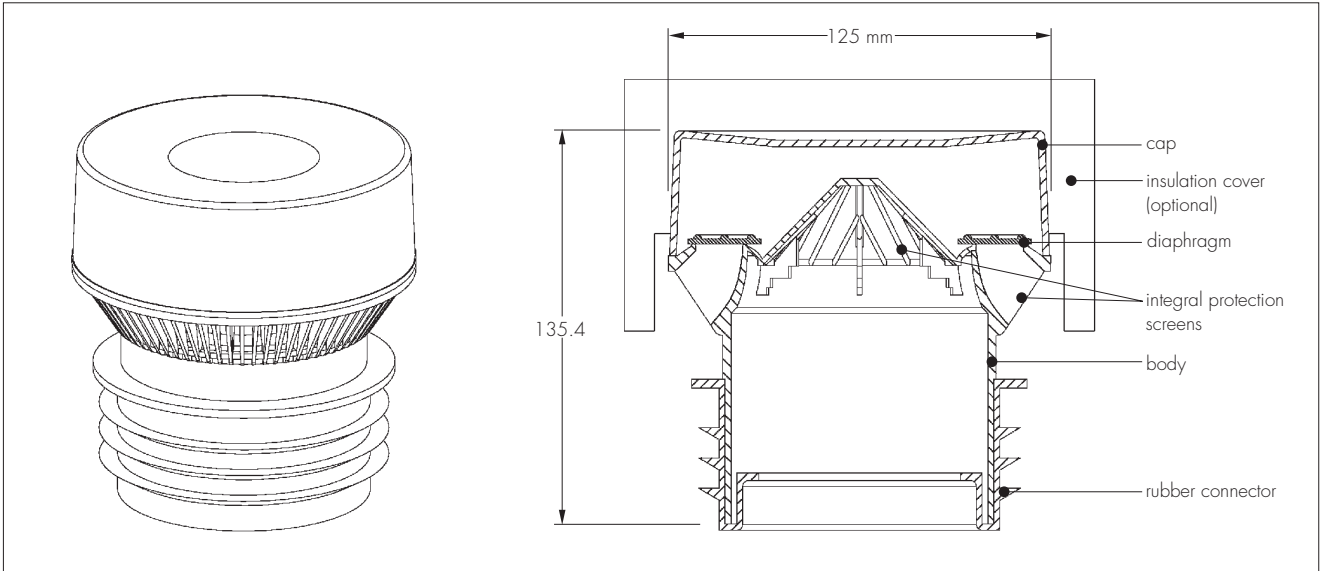
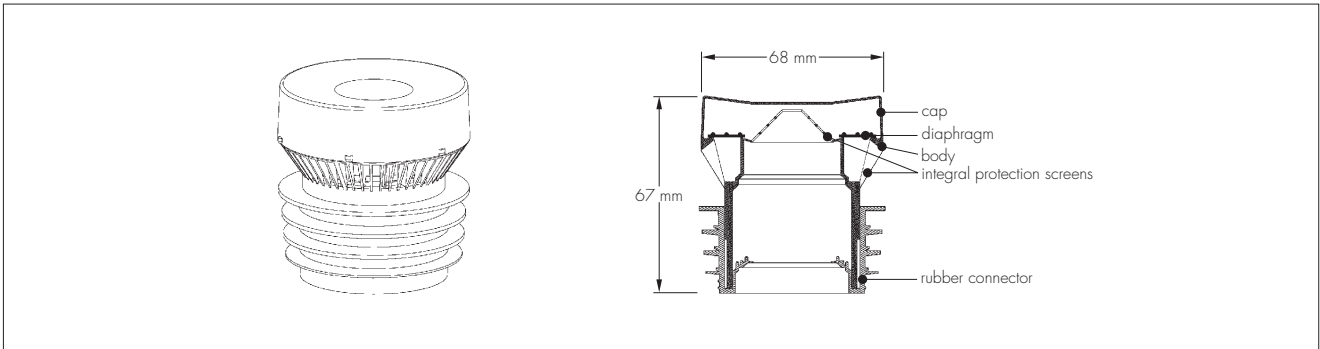


Figure 2 OsmaVent 40 air admittance valve



*Table 1 Waste pipe dimensions for use with OsmaVent valves*

Nominal Size	Minimum mean OD (mm)	Maximum mean OD (mm)	Wall thickness (mm)		Corresponding reference	Material
			Maximum	Minimum		
<b>OsmaVent 110</b>						
82	82.40	82.80	3.00	–	BS 4514	PVC-U
110	110.00	110.30	3.20	3.80	BS EN 1329-1 BS EN 1453-1	PVC-U
<b>OsmaVent 40</b>						
32	34.40	34.80	1.80	2.20	BS EN 1451-1	PP
40	40.80	41.20	1.90	2.30	BS EN 1451-1	PP
50	53.90	54.30	2.00	2.40	BS EN 1451-1	PP
32	36.10	36.50	1.80	2.20	BS EN 1455-1	ABS
40	42.70	43.10	1.90	2.30	BS EN 1455-1	ABS
50	55.70	56.10	2.00	2.40	BS EN 1455-1	ABS
32	36.10	36.50	1.80	2.20	BS EN 1566-1	PVC-C
40	42.70	43.10	1.90	2.30	BS EN 1566-1	PVC-C
50	55.70	56.10	2.00	2.40	BS EN 1566-1	PVC-C

1.3 The OsmaVent 110 and OsmaVent 40 valves are designated AI\* in accordance with BS EN 12380 : 2002, and can be fitted below the flood level of connected appliances, in air temperatures between –20°C and 60°C.

1.4 An expanded polystyrene (EPS) insulation cover may be supplied with each OsmaVent 110 valve as an added protection against extreme high and low temperatures and for outside installations. When used externally, the valve must be fitted with an aluminium cap and the EPS cover.

## 2 Manufacture

2.1 The body and cap of the OsmaVent 110 and OsmaVent 40 valves are manufactured from acrylonitrile-butadiene-styrene (ABS) using conventional injection moulding techniques. The synthetic rubber diaphragms and connectors are also injection moulded, and push-fitted onto the ABS body.

2.2 To ensure product quality is consistently maintained to the required specification, the BBA has:

- agreed with the Certificate holder/manufacturer the quality control procedures and product testing to be undertaken
- assessed and agreed the quality control operated over batches of incoming materials
- monitored the production process and verified that it is in accordance with the documented process
- evaluated the process for management of nonconformities
- checked that equipment has been properly tested and calibrated
- undertaken to carry out the above measures on a regular basis as part of a surveillance process to ensure that standards are maintained and that the product or system remains as Certificated.

## 3 Delivery and site handling

3.1 OsmaVent 110 and OsmaVent 40 valves are shrink-wrapped and packaged in cardboard. An expanded polystyrene cap may be included (see section 1.4 of this Certificate).

3.2 The manufacturer's legend OsmaVent 110 or OsmaVent 40, as appropriate, is printed on each valve cap and shown on the packaging. In addition, both valves have CE mark designation AI to BS EN 12380 : 2002 and the last two digits of manufacture printed on the valve.

3.3 The number of this Certificate is printed on each valve.

## Assessment and Technical Investigations

The following is a summary of the assessment and technical investigations carried out on the OsmaVent 110 and OsmaVent 40 Air Admittance Valves.

## 4 General



4.1 When used in above-ground drainage systems designed in accordance with BS EN 12056-1 : 2000 and BS EN 12056-2 : 2000, the valves:

- admit air under conditions of reduced pressure in the discharge pipes and prevent water seals in traps from being drawn
- prevent the release of foul air from the drainage system
- contribute to the ventilation of the main drain to which the discharge stack incorporating the valve is connected.

4.2 The OsmaVent 110 valve is for use on discharge stacks up to 45 metres or 10 storeys high.

4.3 The OsmaVent 40 valve is for use on branch discharge pipes.

4.4 The OsmaVent 110 and OsmaVent 40 valves may be used in association with each other or separately.

## 5 Practicability of installation

The products are designed to be installed by a competent general builder, or a contractor, experienced with this type of product.

## 6 Drainage system design



6.1 Drainage systems designed in accordance with BS EN 12056-1 : 2000 and BS EN 12056-2 : 2000 should be based on the airflow data given in Table 2. Typical installation details in accordance with BS EN 12056-1 : 2000 are given in Figures 3 and 4.

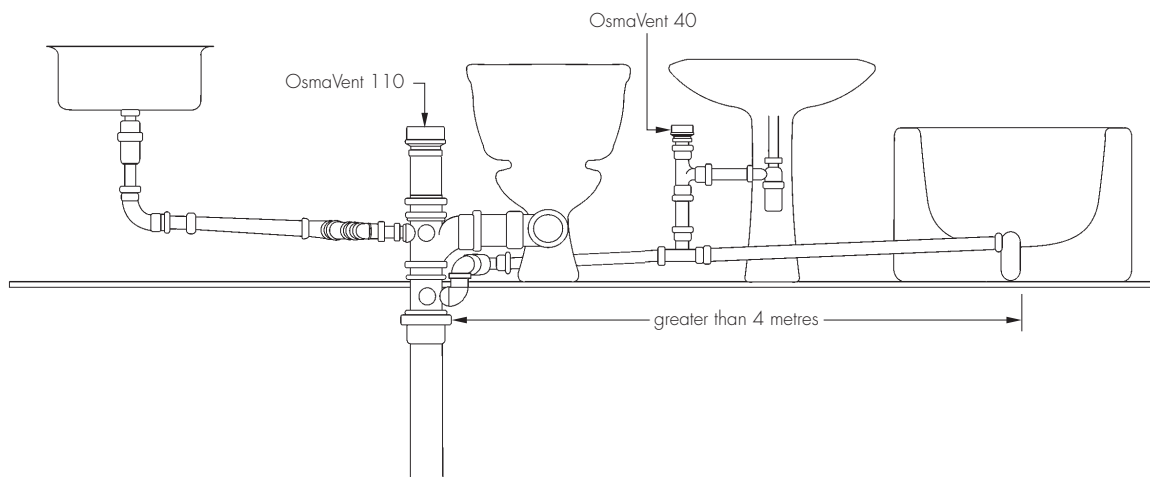
Table 2 Airflow performance<sup>(1)</sup>

Nominal size of pipe (mm)	Airflow (litres per sec)	
	OsmaVent 40	OsmaVent 110
40	7.5*	–
110	–	32.2*

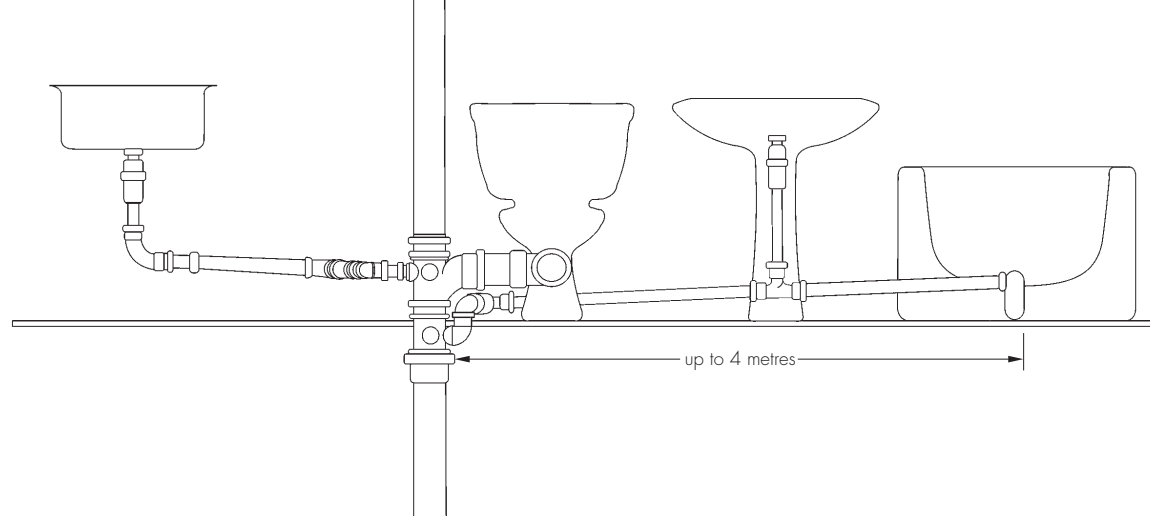
(1) Results based on tests carried out by the Belgian Building Research Institute in accordance with BS EN 12380 : 2002.

Figure 3 Valves installed in domestic dwellings

(a) ventilated OsmaVent 110 and OsmaVent 40 valves



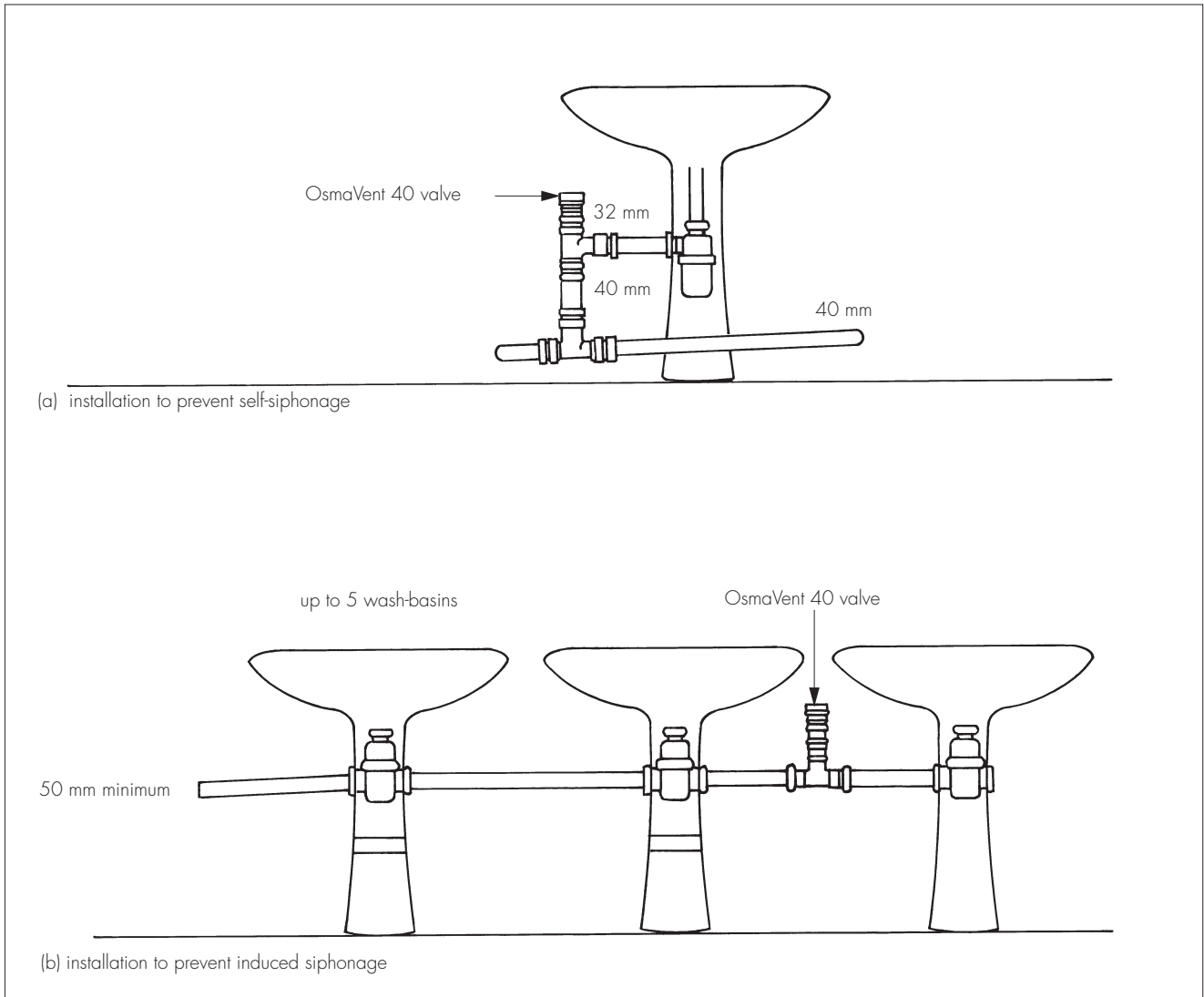
(b) unventilated



NOTES:

- The maximum distance of appliance traps from the discharge stack must be in accordance with BS EN 12056-2 : 2000, paragraph 6.4.3, Table 10 and Figure 9 *Ventilated branches*. The separate ventilation shown on the BS figures may be provided by an OsmaVent 40 valve which must be within 1.5 metres of the appliance trap.
- Unventilated branches BS EN 12056-2 : 2000, paragraph 6.4.11, Table 5 and Figure 6.
- Ventilated stacks higher than 45 metres or 10 storeys must not be fitted with the OsmaVent 110 valve as the sole means of ventilation.

Figure 4 Installation

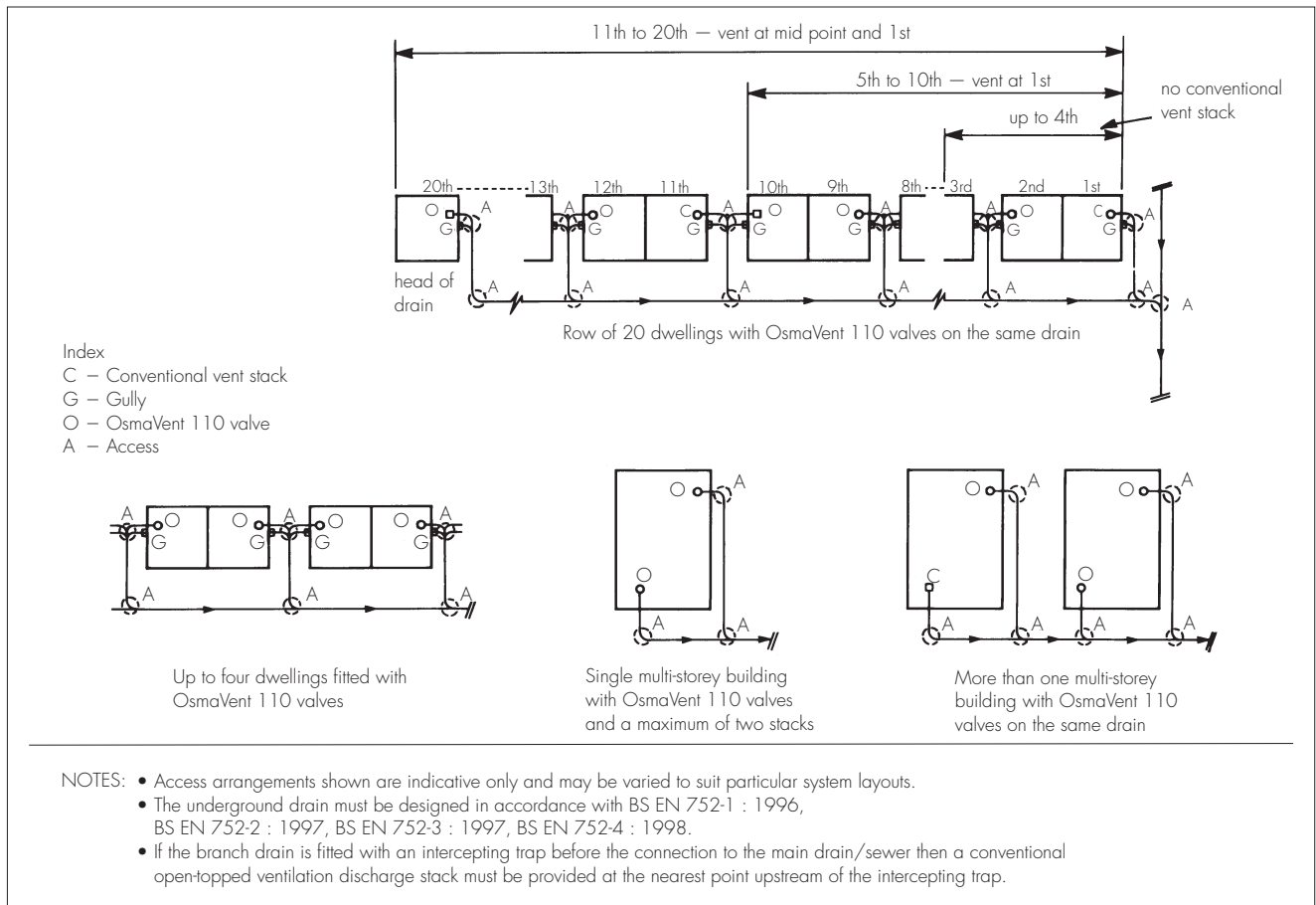


6.2 To contribute to the ventilation of the underground drain and to minimise the effects of excessive back pressures when a drain blockage occurs, the branch or main drain serving a stack or stacks fitted with OsmaVent valves may require venting at a point upstream of the stack connection. For guidance see Table 3 and Figure 5.

Table 3 Air admittance valve disposition

Number of dwellings	Up to three storeys in height	Multi-storey domestic dwellings and non-domestic buildings
1-4	Additional drain venting not required	Conventional drain venting to be provided if more than one such building, each equipped with the valves, is connected to a common drain which is not itself vented by means of a ventilation stack or a discharge stack not fitted with a valve
5-10	Conventional ventilation (open-topped or discharge stack) to be provided at the vent stack closest to the main drain sewer	
11-20	Conventional ventilation (open-topped or discharge stack) to be provided at the vent closest to the main drain sewer and at the mid-point of the system	

Figure 5 Examples of drain ventilation provisions



6.3 To prevent self-siphonage, a connection to the OsmaVent 40 valve is required within 1500 mm of the trap (see Figure 4).

6.4 To prevent induced siphonage in a row of wash-basins, an OsmaVent 40 valve should be fitted between the two wash basins furthest from the discharge stack (see Figure 4).



6.5 Air admittance valves should not be used as the only ventilation to a drainage system discharging to septic tanks or cesspools.



6.6 The valve should be installed within the building where it is easily accessible but not subject to interference by vandals. If fitted externally, see section 1.4.

6.7 If the valve is to be installed in, or in close proximity to, a habitable space where noise of operation may cause a nuisance, consideration must be given to the use of a suitable form of sound insulation.

6.8 In installations other than those shown in Figure 5, stacks should not be fitted with the valves when the connecting drain(s) are subject to periodic surcharging or are fitted with intercepting traps. An open-topped discharge stack or ventilating stack should be used in such cases.

6.9 The insulation cover should be used when there is a possibility that the valve may be exposed to extreme ambient high or low temperatures.

## 7 Effect on water seals



7.1 The valves will admit sufficient quantities of air into the stack when they are subjected to a reduced pressure and thereby prevent loss of the water in appliance traps.

7.2 Under conditions of increased pressure in the drainage system, each valve will remain closed, thereby preventing the release of foul air into the building.

7.3 A pressure increase sufficient to raise the level in the water seal or to cause foul air to bubble up through the seal is an indication that a drain blockage has occurred or that the system is being overloaded or otherwise misused.

## 8 Maintenance



8.1 The valves do not normally require maintenance.

8.2 In the event of accidental damage or vandalism the valves must be renewed.



## 9 Durability



OsmaVent valves are manufactured from materials conventional in drainage systems. Repeated opening and closing will not adversely affect the sealing or operation of the valve. When used in the context of this Certificate the product will not be subject to significant deterioration and will have a life equivalent to that of the drainage system in which it is installed.

## 10 Re-use and recyclability

The products are manufactured from ABS and synthetic rubber which can be recycled.

## Installation

### 11 General

11.1 Installation must be carried out in accordance with the Certificate holder's instructions.

11.2 The valves are easily installed in discharge and/or ventilation pipes and obviate the need to penetrate the roof covering. Care should be taken to avoid contamination of the sealing surfaces, as this may affect airtightness.

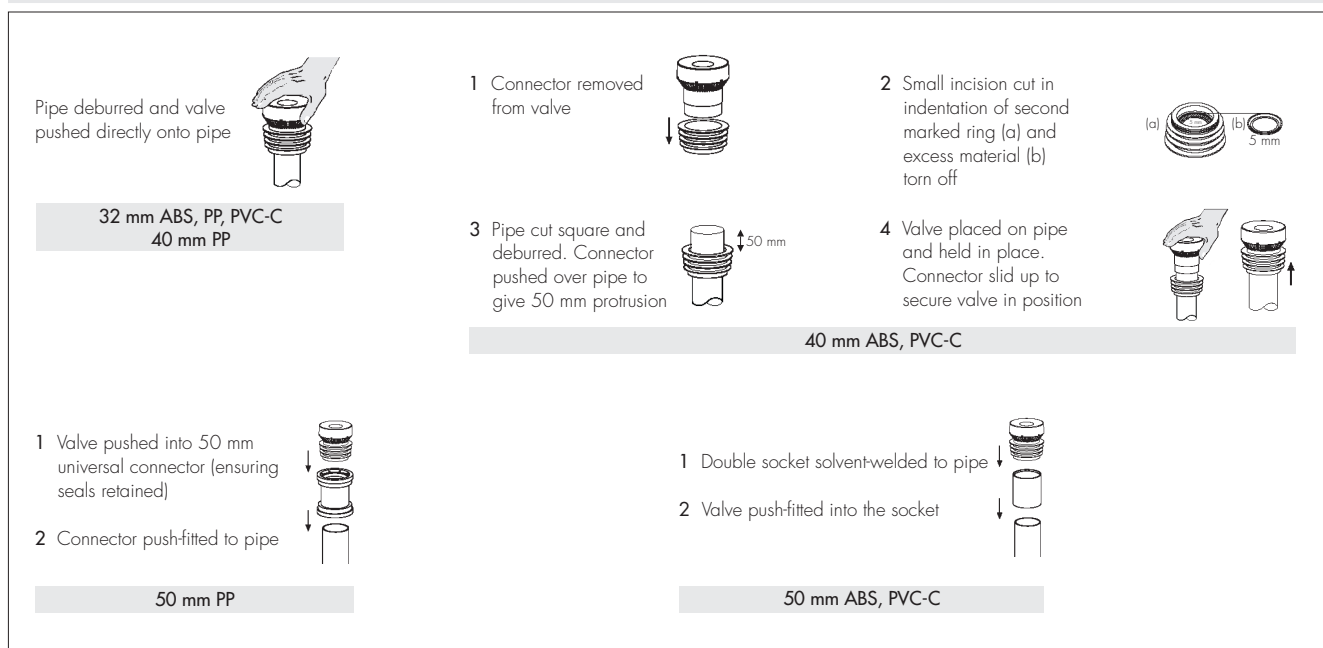
11.3 OsmaVent 110 valves must be fitted in a vertical position 200 mm above the highest branch connection (see Figure 3) and OsmaVent 40 valves must be fitted in a vertical position 100 mm above the pipe being ventilated (see Figure 4).

### 12 Procedure

12.1 OsmaVent 110 valves are supplied with a synthetic rubber connector, enabling a push-fit into 110 mm PVC-U pipes to BS EN 1329-1 : 2000 and BS EN 1453-1 : 2000. With the connector removed, the valves can be solvent-welded onto 82 mm PVC-U pipes to BS 4514 : 2001.

12.2 OsmaVent 40 valves push-fit onto DN32, DN40 and DN50 pipe (see Figure 6).

Figure 6 Fitting OsmaVent 40 valves



## Technical Investigations

### 13 Tests

Tests were carried out to determine:

- impact resistance (drop testing)
- airtightness after endurance at negative temperature
- airtightness before and after endurance at positive temperature
- opening pressure
- airflow capacity
- peak discharge flow simulation.

## 14 Investigations

14.1 The manufacturing process was examined including the methods adopted for quality control and details were obtained of the quality and composition of materials used.

14.2 A re-examination was made of the data on which the previous Certificate was based. The conclusions drawn from the original data remain valid.

14.3 Data in relation to the following were examined:

- effect on trap seals when tested on five-storey test rigs
- self- and induced siphonage
- stress relaxation
- creep durability.

14.4 Regular factory inspections have been carried out to ensure that quality is being maintained.

14.5 A user survey has been carried out to confirm performance in use.

## Bibliography

BS 4514 : 2001 *Unplasticized PVC soil and ventilating pipes of 82.4 mm minimum mean, outside diameter and fittings and accessories of 82.4 mm and of other sizes — specification*

BS 5255 : 1989 *Specification for thermoplastics waste pipe and fittings*

BS EN 1329-1 : 2000 *Plastics piping systems for soil and waste discharge (low and high temperature) within the building structure — Unplasticized poly(vinyl chloride) (PVC-U)*

BS EN 1451-1 : 2000 *Plastics piping systems for soil and waste discharge (low and high temperature) within the building structure — Polypropylene (PP) — Specifications for pipes, fittings and the system*

BS EN 1453-1 : 2000 *Plastics piping systems with structured-wall pipes for soil and waste discharge (low and high temperature) inside buildings — Unplasticized poly(vinylchloride) (PVC-U) — Specifications for pipes and the system*

BS EN 1455-1 : 2000 *Plastics piping systems for soil and waste (low and high temperature) within the building structure — Acrylonitrile-butadiene-styrene (ABS) — Specifications for pipes, fittings and the system*

BS EN 1566-1 : 2000 *Plastics piping systems for soil and waste discharge (low and high temperature) within the building structure — Chlorinated poly(vinylchloride) (PVC-C) — Specification for pipes, fittings and the system*

BS EN 12056-1 : 2000 *Gravity Drainage Systems inside Buildings — General and performance requirements*

BS EN 12056-2 : 2000 *Gravity Drainage Systems inside Buildings — Sanitary pipework, layout and calculation*

BS EN 12380 : 2002 *Air admittance valves for drainage systems — Requirements, test methods and evaluation of conformity*

## 15 Conditions

15.1 This Certificate:

- relates only to the product/system that is named and described on the front page
- is issued only to the company, firm, organisation or person named on the front page — no other company, firm, organisation or person may hold or claim that this Certificate has been issued to them
- is valid only within the UK
- has to be read, considered and used as a whole document — it may be misleading and will be incomplete to be selective
- is copyright of the BBA
- is subject to English Law.

15.2 Publications, documents, specifications, legislation, regulations, standards and the like referenced in this Certificate are those that were current and/or deemed relevant by the BBA at the date of issue or reissue of this Certificate.

15.3 This Certificate will remain valid for an unlimited period provided that the product/system and its manufacture and/or fabrication, including all related and relevant parts and processes thereof:

- are maintained at or above the levels which have been assessed and found to be satisfactory by the BBA
- continue to be checked as and when deemed appropriate by the BBA under arrangements that it will determine
- are reviewed by the BBA as and when it considers appropriate.

15.4 The BBA has used due skill, care and diligence in preparing this Certificate, but no warranty is provided.

15.5 In issuing this Certificate, the BBA is not responsible and is excluded from any liability to any company, firm, organisation or person, for any matters arising directly or indirectly from:

- the presence or absence of any patent, intellectual property or similar rights subsisting in the product/system or any other product/system
- the right of the Certificate holder to manufacture, supply, install, maintain or market the product/system
- actual installations of the product/system, including their nature, design, methods, performance, workmanship and maintenance
- any works and constructions in which the product/system is installed, including their nature, design, methods, performance, workmanship and maintenance
- any loss or damage, including personal injury, howsoever caused by the product/system, including its manufacture, supply, installation, use, maintenance and removal
- any claims by the manufacturer relating to CE marking.

15.6 Any information relating to the manufacture, supply, installation, use, maintenance and removal of this product/system which is contained or referred to in this Certificate is the minimum required to be met when the product/system is manufactured, supplied, installed, used, maintained and removed. It does not purport in any way to restate the requirements of the Health and Safety at Work etc. Act 1974, or of any other statutory, common law or other duty which may exist at the date of issue or reissue of this Certificate; nor is conformity with such information to be taken as satisfying the requirements of the 1974 Act or of any statutory, common law or other duty of care.