



Imperial to metric Hep₂O push-fit adaptors



Hep₂O Push-Fit Straight and Elbow Conversion Adaptors

There are various ways you can convert from an imperial system to enable the use of our extended Metric Hep₂O range. For easy push-fit connection, we have the following adaptors:

Straight Conversion

HD45/5W
1/2" x 15mm

HD45/7W
3/4" x 22mm

HD45/1W
1" x 28mm



Elbow Conversion

HD46/5W
1/2" x 15mm

HD46/7W
3/4" x 22mm

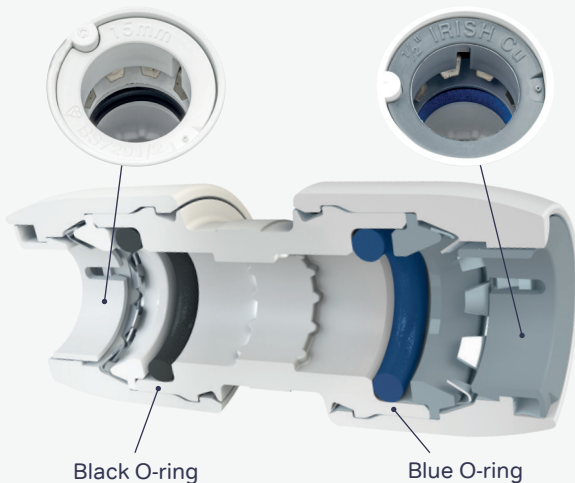
HD46/1W
1" x 28mm



Hep₂O metric to imperial fitting

Metric White end

Imperial Grey end



Installation instructions

The conversion fittings are easy to use, but care must be taken to connect the imperial side to imperial pipe and metric to metric pipe. The fittings have been colour coded so you can see at a glance which side is imperial and which is metric. See visual guide below on how to identify the correct end.

Connecting to Hep₂O pipe

1. Cut the pipe squarely at one of the "A" marks (or mark the insertion depth) and ensure the pipe end is free from burrs
2. Insert a Hep₂O SmartSleeve™ pipe support sleeve into the pipe end
3. Push the pipe firmly into the fitting then use Hep₂O's unique In4Sure™ joint recognition technology to 'feel' if the pipe is fully inserted. While still pushing, rotate the pipe using a screwing action. If the pipe is fully inserted you will feel a 'rumbling' sensation as the profiled end of the SmartSleeve™ passes over the castellated seat inside the fitting
4. Tug back on the pipe to ensure the grab-ring engages correctly and prevents the pipe withdrawing
5. The joint is now secure. However, it can be removed if necessary, by using one of a Hep₂O HepKey demounting tool

Connecting to Copper pipe

Hep₂O fittings have been designed to form reliable joints with copper pipe which conforms to EN 1057 – R250.

1. Measure the pipe, allowing sufficient length for insertion into the fitting, and mark with a pencil
2. Cut the copper pipe with a wheel cutter
3. Carefully inspect the pipe ends for burrs or swarf
4. Push the pipe firmly into the fitting
5. Tug back on the pipe to ensure the grab-ring engages correctly and prevents the pipe withdrawing

Other methods to connect to Metric Hep₂O

See our Imperial to Metric Hep₂O Nut and Ring Adaptor instruction sheet for compression connections.