



On/Off Elektrothermic Actuator

Description

Wavin Electrothermal Actuator is an electrothermal valve used to automatically open and close the two-way valve positioned at the hot water inlet of the manifold in underfloor heating and cooling systems.

The room thermostat controls whether the set temperature of the room is reached and sends an electrical signal to the electrothermal actuator. When the electric current reaches the actuator, the thermal element inside heats up and expands, opening or closing the valve.

Application

- Manifold outlets in underfloor heating systems
- Fan coil systems
- Thermostatic radiator valves
- Systems requiring individual zone (room) control

Advantages

- Quiet and vibration-free operation
- Energy efficiency (room-based control option)
- Compact and flame-retardant body structure
- Easy installation (just screwing by hand is sufficient)
- CE, TÜV approved – LVD 2014/35/UE and EMC 2014/30/UE compliant

Operation

When there is no energy, the actuator is closed (NC). There is no hot water flowing through the valve. When energy is given, the wax element heats up and expands.

The valve mechanism is pushed up by the spring force, and water flow begins. When the room thermostat reaches the temperature target, energy is cut off and the valve closes again.

Technical Features

Electrical Features

Product Code	4084885	4084884
Power Supply	24V AC/DC (%+10 /% -15)	230V AC (%+10% / %-15)
Frequency	50-60 Hz	50-60 Hz
Power Consumption	1,6 W	1,8 W
Cable Type	2x0,5 mm ² , 1m length	

Mechanical Features

Movement Type: On/Off

Operating Style: Thermal wax element + spring

Valve connection: M30x1.5 threaded ring nut

Stroke distance: 3,5 mm

Nominal Closing Force (Power off): 110 N ± %10 (NC)

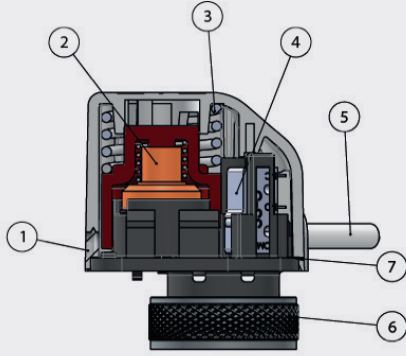
Environmental Durability

Operation Temperature: 0 – 50 °C

Storage Temperature: -25 – 60 °C

Max. Fluid Temperature: 110 °C

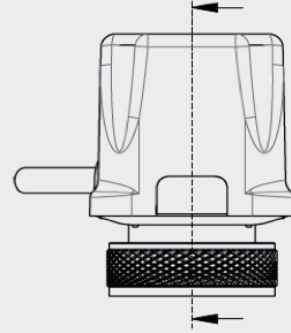
Protection Class: IP54 (on every assembly position)



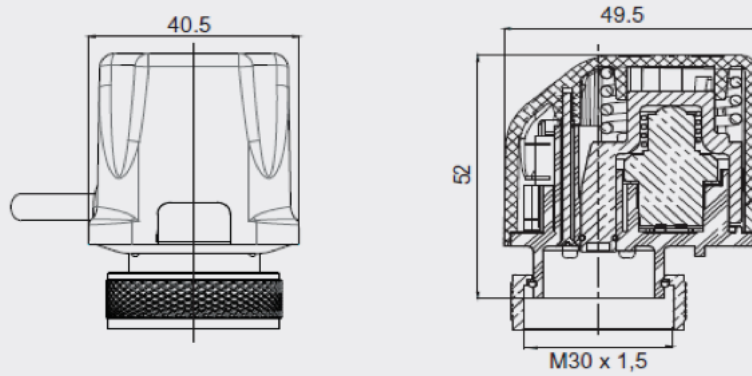
Normally Closed

Features:

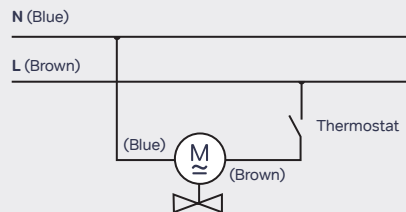
1. Transparan area
2. Wax thermal area
3. Opposing spring
5. Electrical wiring
6. Ring Nut M30x1,5
7. O-Ring



Dimensions (mm)



Electrical Wire Connection



Wavin TR Plastik Sanayi A.Ş.

Factory :

P: (+90) 322 999 10 00
Güzelevler Mah. Girne Bul.
No: 294/A Pk: 57
01321 Yüreğir / ADANA
(Ceyhan Yolu Üzeri 7. Km)

Adana Branch Office:

P: (+90) 322 999 11 54
Güzelevler Mah. Girne Bul.
No: 294/A Pk: 57
01321 Yüreğir / ADANA
(Ceyhan Yolu Üzeri 7. Km)

İstanbul Branch Office:

P: (+90) 216 999 14 00
Hukukçular Towers A Blok
K: 4 Mustafa Kemal Paşa
Cad. Seyit Gazi Sok. No: 66
Cevizli Mah.
34865 Kartal / İSTANBUL

Ankara Branch Office:

P: (+90) 312 815 49 20 (4 Hat)
İşçi Blokları Mahallesi, Mevlana
Bulvan (Konya Yolu Üzeri),
Ege Plaza No:182/B
06530 Balgat / ANKARA

İzmir Branch Office:

P: (+90) 232 458 60 43 (4 Hat)
Ege Perla, Çınarlı Mahallesi
Ozan Abay Caddesi
No: 10 Kat: 3 D: 35
35170 Konak / İZMİR

WAVIN

An Orbia business.

wavin.tr.info@wavin.com
www.wavin.com.tr